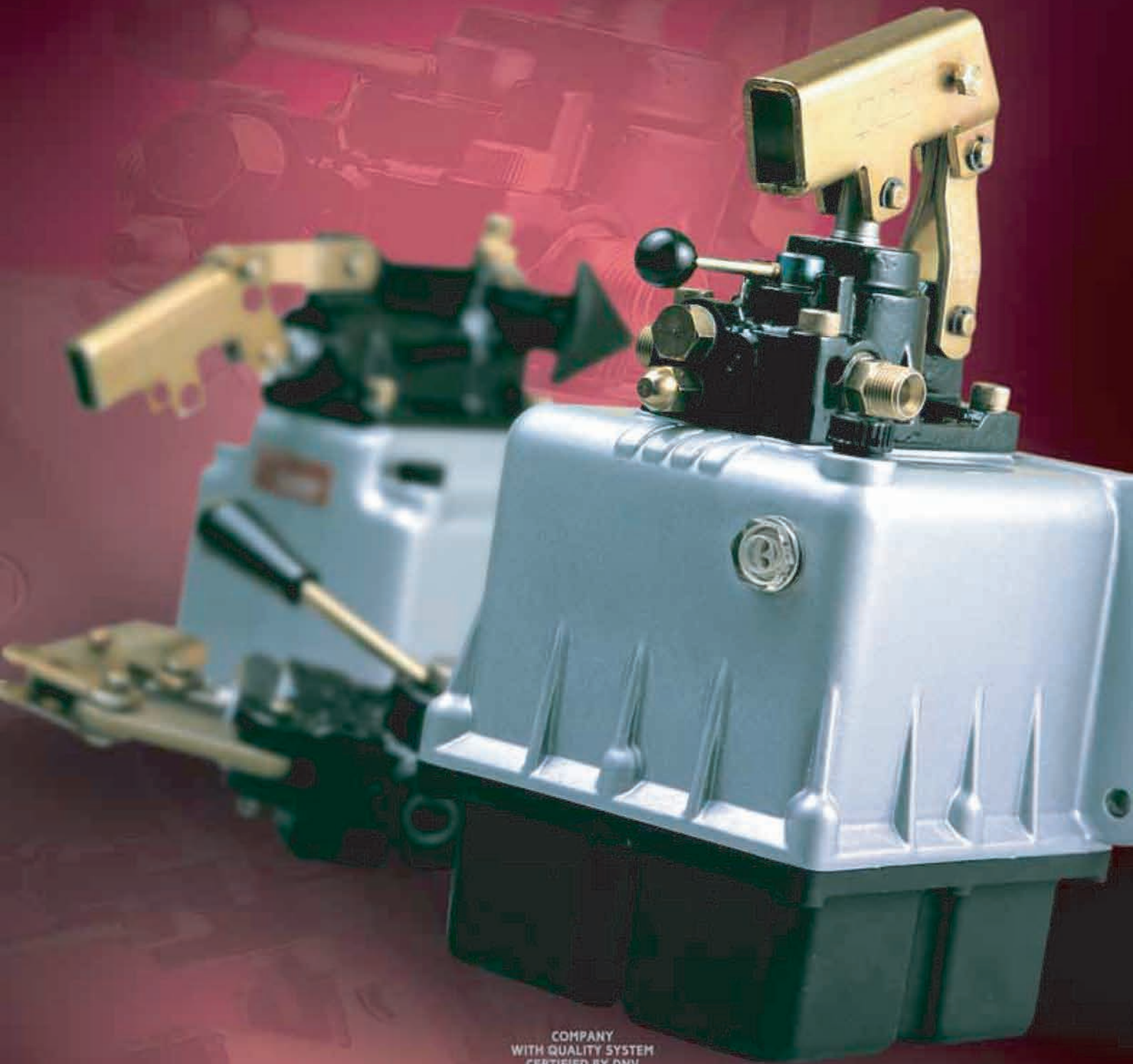


# HAND PUMPS

## 液 压 手 动 泵



COMPANY  
WITH QUALITY SYSTEM  
CERTIFIED BY DNV  
=ISO 9001/2000=

**DMFB**  
HYDRAULIC COMPONENTS®

# HAND PUMPS

## 液压手动泵

### PM ..... 01-06



### PM 系列 / SERIES PM

双作用手动泵不带油箱，排量20-50-70cm<sup>3</sup>可选，内置截止阀可选。

HAND PUMPS WITHOUT TANK, 20-50-70cm<sup>3</sup>, WITH AND WITHOUT LET-DOWN VALVE.

### PM



### PMS ..... 07-10



### PMS 系列和 PMS+VS 系列 SERIES PMS and PMS+VS

双作用手动泵，排量12-25-45cm<sup>3</sup>可选，自带截止阀，安全阀，同时可选配油箱。

DOUBLE ACTING HAND PUMPS, 12-25-45cm<sup>3</sup>, WITH OR WITHOUT TANK, TO OPERATE SINGLE ACTING CYLINDERS. AVAILABLE WITH LET-DOWN VALVE AND SPRING RETURN.

### PMS



### PMI ..... 11-14



### PMI 系列和 PMI+VS 系列 SERIES PMI and PMI+VS

双作用手动泵，排量12-25-45cm<sup>3</sup>可选，自带换向阀，安全阀。同时可选配油箱。

DOUBLE ACTING HAND PUMPS, 12-25-45cm<sup>3</sup>, WITH OR WITHOUT TANK, TO OPERATE DOUBLE ACTING CYLINDERS. AVAILABLE WITH LET-DOWN VALVE.

### PMI



### PMSE ..... 15-16



### PMSE 系列 / SERIES PMSE

单作用手动泵，内置截止阀，排量12-25-45cm<sup>3</sup>可选，同时可选配油箱。

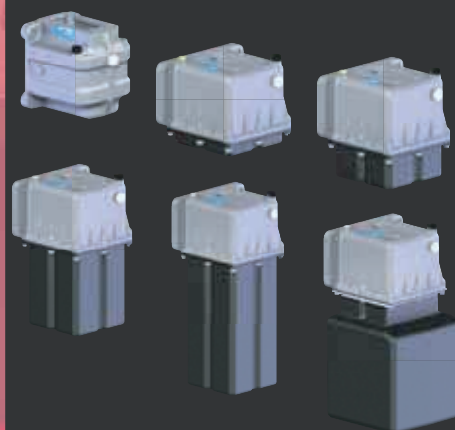
SINGLE ACTING HAND PUMPS, 10-15cm<sup>3</sup>, WITH OR WITHOUT TANK, TO OPERATE SINGLE ACTING CYLINDERS.

### TANKS

### 油箱 / TANKS

铝质和塑料箱体，容量1-2-3-5-7-10L可选，特殊要求可定制。

ALUMINIUM AND ALUMINIUM/PLASTIC TANKS 1-2-3-5-7-10 LT, COMPLETE WITH OIL GLASS. SPECIAL CONFIGURATIONS AVAILABLE ON DEMAND.



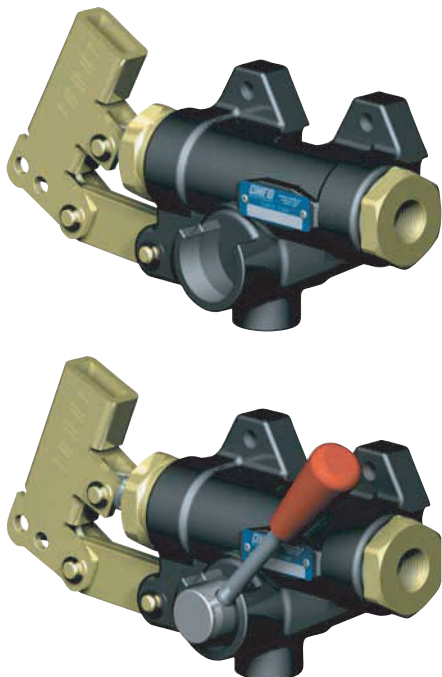
# 液压手动泵 (不带油箱) HAND PUMPS WITHOUT TANK

产品代码  
FAMILY CODE

106

系列  
SERIES

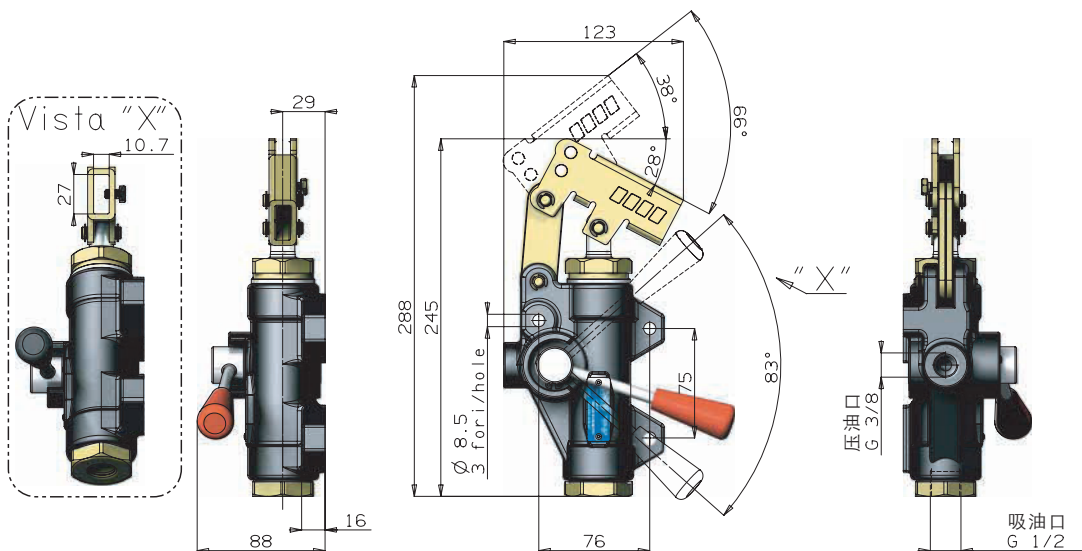
PM 20



PM 系列双作用手动泵泵体采用经磷化工艺处理的铸铁材料，有自带和不带截止阀两种型式，可分别适用于应急装置和简单作用的场合。并有20-50cm<sup>3</sup>-70cm<sup>3</sup>三种不同排量供选择，分别对应PM20、PM50 和 PM70，同时可选配镀锌手柄。

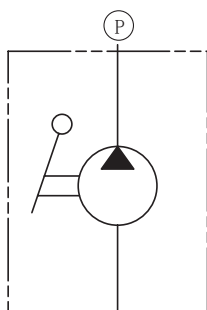
Hand pumps with double effect activation whether with drainage tap for simple effect installations or without tap for emergency installations. Available in three different capacities to allow several applications and to limit the effort on the lever in any situation. The body is in cast-iron with phosphate treatment and the stem is in nicked steel.

	定货代码 Order code
	PM 20
内置截止阀 with valve	106-001-00013
无截止阀 without valve	106-001-00040

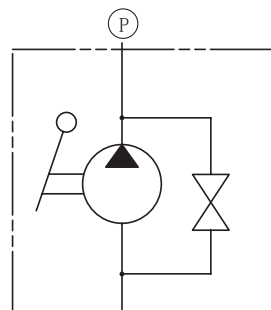


液压回路图 /Hydraulic layout

无截止阀 / WITHOUT VALVE



内置截止阀 / WITH VALVE



## 技术参数

### Technical data

型号 Pump type	最高压力 Max. Pressure	排量 Displacement			重量 Weight
		Completa / Full cm <sup>3</sup> /ciclo	Tiro / Pull cm <sup>3</sup> /tiro	Spinta / Push cm <sup>3</sup> /spinta	
PM 20	300	20	10,8	9,2	3,4

密封圈 Seal kit	丁晴橡胶(NBR), 氟橡胶(FKM或FPM), 尼龙(Nylon) Mineral or synthetic compatible with the following seals: NBR, FKM, FPM, Nylon				
建议运动粘度 Kinematic viscosity suggested	T media ambiente (°C) Average ambient temp. (°C)	<-10	-10÷10	10÷35	>35
	VG (cSt = mm <sup>2</sup> /s)	22	32	46	68
入口压力 Inlet pressure		-0,3 ÷ 2 bar			

### 手柄

#### Lever

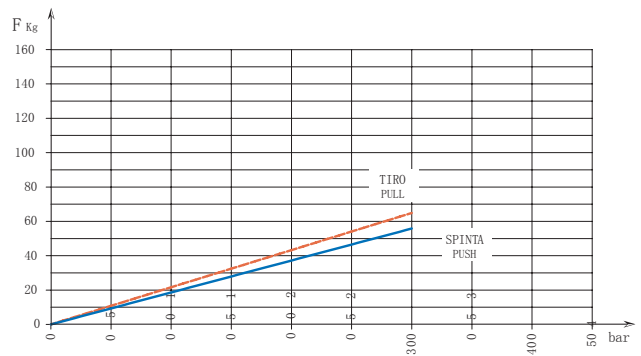
PM 20

106 -000-00176

### 压力 — 手柄作用力图

#### Load while pumping with standard lever

PM 20



# 液压手动泵 (不带油箱)

## HAND PUMPS WITHOUT TANK

产品代码  
FAMILY CODE

**106**

系列  
SERIES

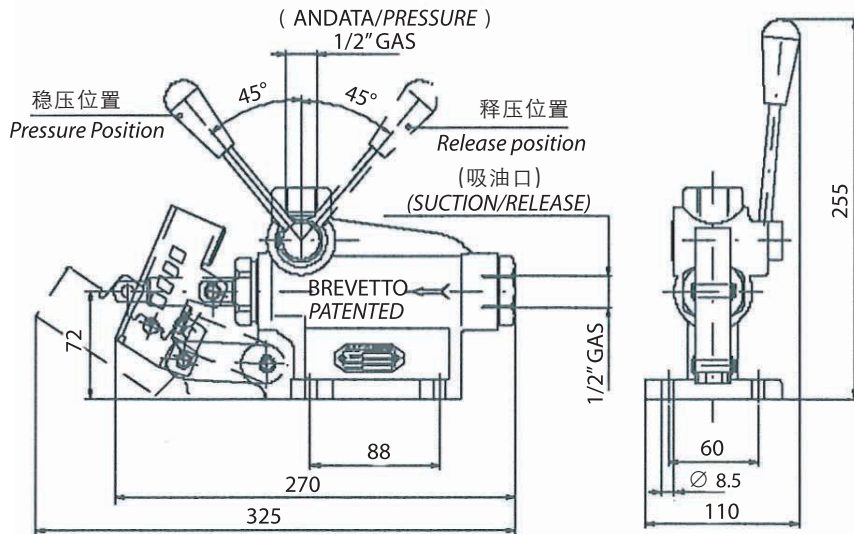
**PM 50**



PM 系列双作用手动泵泵体采用经磷化工艺处理的铸铁材料，有自带和不带截止阀两种型式，可分别适用于应急装置和简单作用的场合。并有20-50cm<sup>3</sup>-70cm<sup>3</sup>三种不同排量供选择，分别对应PM20、PM50 和 PM70，同时可选配镀锌手柄。

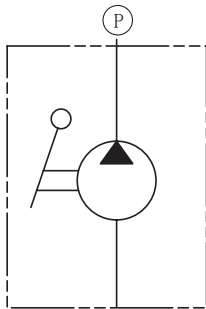
*Hand pumps with double effect activation whether with drainage tap for simple effect installations or without tap for emergency installations. Available in three different capacities to allow several applications and to limit the effort on the lever in any situation. The body is in cast-iron with phosphate treatment and the stem is in nicked steel.*

	定货代码 Order code
	PM 50
内置截止阀 with valve	106-001-00022
无截止阀 without valve	106-001-00059

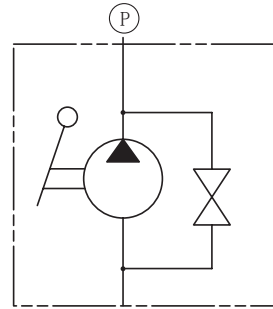


液压回路图 /Hydraulic layout

无截止阀 / WITHOUT VALVE



内置截止阀 / WITH VALVE



## 技术参数 Technical data

型号 Pump type	最高压力 Max. Pressure	排量 Displacement			重量 Weight
		Completa / Full cm <sup>3</sup> /ciclo	Tiro / Pull cm <sup>3</sup> /tiro	Spinta / Push cm <sup>3</sup> /spinta	
PM 50	250 bar	50	29,8	20,7	5 Kg

密封圈 Seal kit	丁晴橡胶(NBR), 氟橡胶(FKM或FPM), 尼龙(Nylon) Mineral or synthetic compatible with the following seals: NBR, FKM, FPM, Nylon				
建议运动粘度 Kinematic viscosity suggested	T media ambiente (°C) Average ambient temp. (°C)	<-10	-10÷10	10÷35	>35
	VG (cSt = mm <sup>2</sup> /s)	22	32	46	68
入口压力 Inlet pressure		-0,3 ÷ 2 bar			

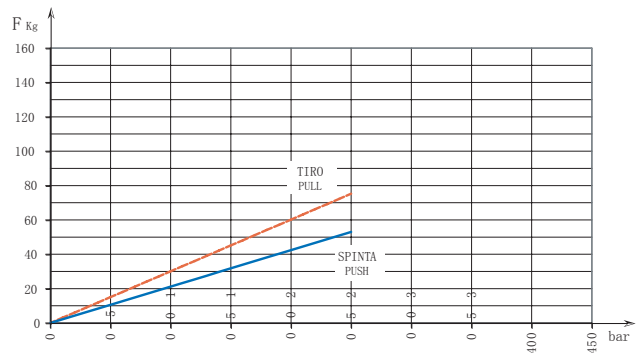
### 手柄 Lever

PM 50

106 -000-00078

### 压力 — 手柄作用力图 Load while pumping with standard lever

PM 50



# 液压手动泵 (不带油箱)

## HAND PUMPS WITHOUT TANK

产品代码  
FAMILY CODE

106

系列  
SERIES

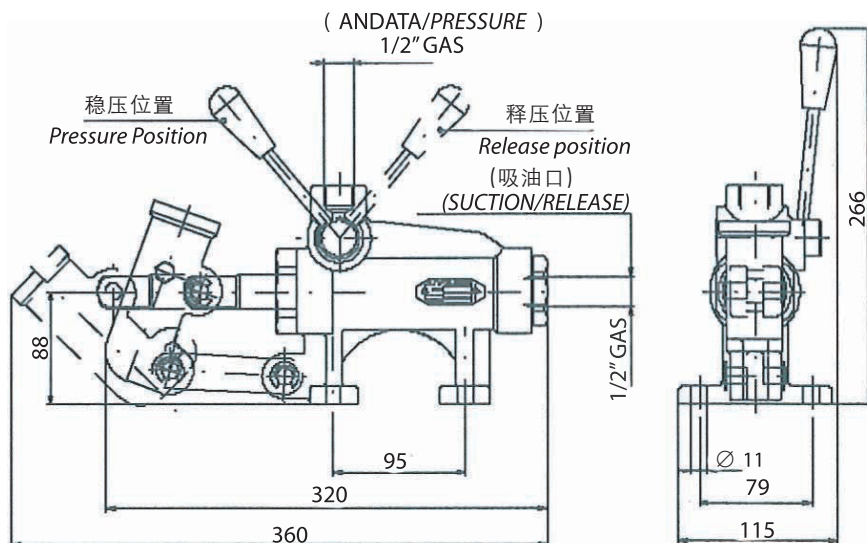
PM 70



PM 系列双作用手动泵泵体采用经磷化工艺处理的铸铁材料，有自带和不带截止阀两种型式，可分别适用于应急装置和简单作用的场合。并有20-50cm<sup>3</sup>-70cm<sup>3</sup>三种不同排量供选择，分别对应PM20、PM50 和 PM70，同时可选配镀锌手柄。

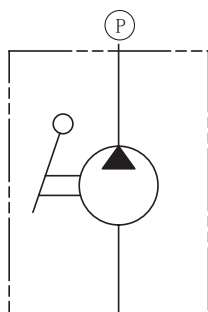
*Hand pumps with double effect activation whether with drainage tap for simple effect installations or without tap for emergency installations. Available in three different capacities to allow several applications and to limit the effort on the lever in any situation. The body is in cast-iron with phosphate treatment and the stem is in nickered steel.*

	定货代码 Order code
	PM 70
内置截止阀 with valve	106-001-00031
无截止阀 without valve	106-001-00068

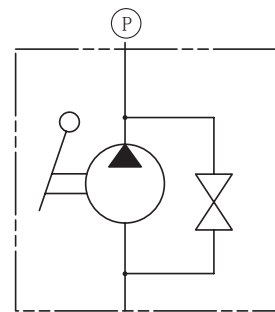


液压回路图 /Hydraulic layout

无截止阀 / WITHOUT VALVE



内置截止阀 / WITH VALVE



## 技术参数 Technical data

型号 Pump type	最高压力 Max. Pressure	排量 Displacement			重量 Weight
		Completa / Full cm <sup>3</sup> /ciclo	Tiro / Pull cm <sup>3</sup> /tiro	Spinta / Push cm <sup>3</sup> /spinta	
PM 70	200	70	37,1	32,9	7,2

密封圈 Seal kit	丁晴橡胶(NBR), 氟橡胶(FKM或FPM), 尼龙(Nylon) Mineral or synthetic compatible with the following seals: NBR, FKM, FPM, Nylon				
建议运动粘度 Kinematic viscosity suggested	T media ambiente (°C) Average ambient temp. (°C)	<-10	-10÷10	10÷35	>35
	VG (cSt = mm <sup>2</sup> /s)	22	32	46	68
入口压力 Inlet pressure		-0,3 ÷ 2 bar			

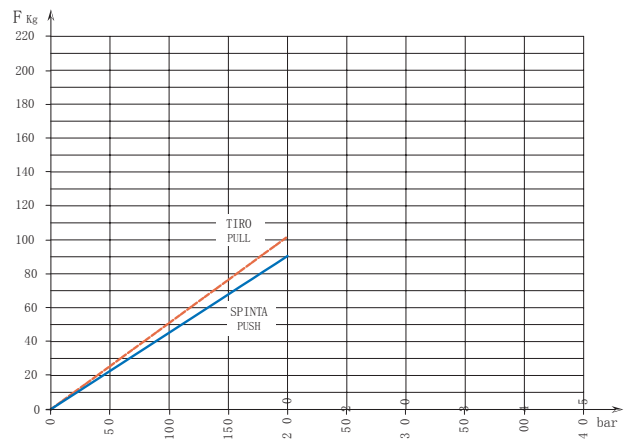
### 手柄 Lever

PM 70

106 -000-00014

### 压力 — 手柄作用力图 Load while pumping with standard lever

PM **70**





液压手动泵  
HAND PUMPS

系列  
SERIES

# PMS 12-25-45



PMS 系列双作用手动泵泵体采用经电泳防腐工艺处理的球墨铸铁材料，内置带镀镍阀芯的截止阀，该系列有12-25-45cm<sup>3</sup>三种排量供选择，分别对应PMS12、PMS25 和 PMS45，同时可选配镀锌手柄和不同容量、材质的油箱。

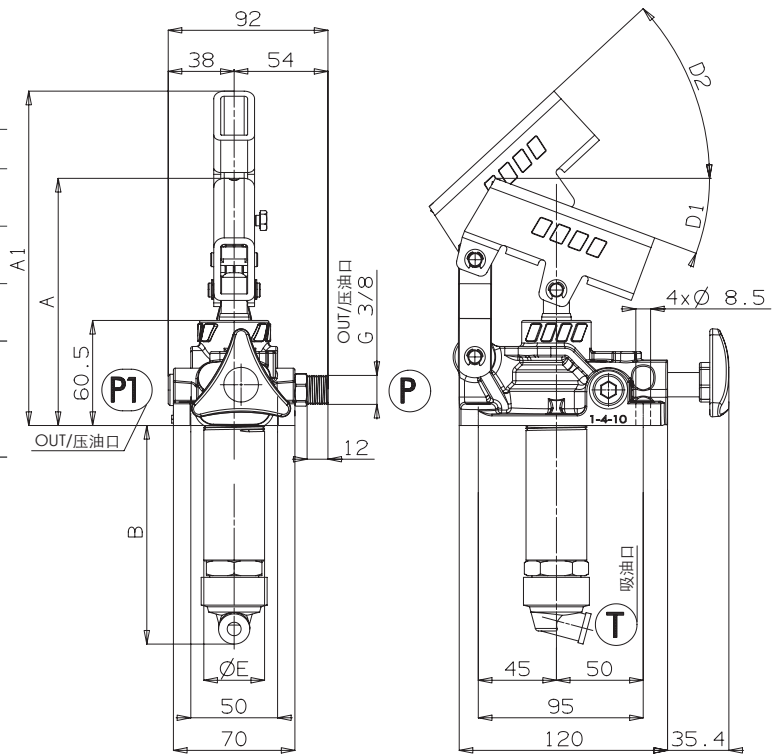
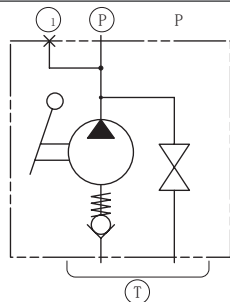
*Double acting hand pumps suitable to operate single acting applications. They can be fitted also onto tank and are equipped with tapered lowering valve. These hand pumps can have 3 different sizes to perform various applications and to achieve smoother loads on the lever. They are available with nodular cast-iron body with cathodoresis anti-corrosion treatment and nickel-plated spool.*

		定货代码 Order code		
		FULCRO 12	FULCRO 25	FULCRO 45
无油箱 Without Tank		106-015-00017	106-004-00010	106-004-00029
配置油箱 (L)	1	106-014-00018	106-002-00012	106-003-00066
	2	106-014-00027	106-002-00021	106-003-00057
	3	106-014-00036	106-002-00030	106-003-00011
	5	106-014-00045	106-002-00049	106-003-00020
	7	106-014-00054	106-002-00058	106-003-00039
	10	106-014-00063	106-002-00067	106-003-00048

尺寸  
Overall Dimension

	A	A1	B	C	D1	D2	E
	mm	mm	mm	mm	°	°	mm
FULCRO 12	143	187	120	2,8	18,5	45	35
FULCRO 25	142	193	127	3,7	20	45	35
FULCRO 45	141	193	138	3,7	20	45	42

液压回路图  
Hydraulic layout



技术参数  
Technical data


型号 Pump type	最高压力 Max. Pressure  bar	排量 Displacement			重量 Weight  Kg
		Completa / Full cm <sup>3</sup>	Tiro / Pull cm <sup>3</sup>	Spinta / Push cm <sup>3</sup>	
FULCRO <b>12</b>	350	12	6,1	5,9	2,8
FULCRO <b>25</b>	300	25	13,4	11,6	2,9
FULCRO <b>45</b>	270	45	23,7	21,3	3,2

密封圈 Seal kit	丁腈橡胶(NBR), 氟橡胶(FKM或FPM), 尼龙(Nylon) Mineral or synthetic compatible with the following seals: NBR, FKM, FPM, Nylon				
建议运动粘度 Kinematic viscosity suggested	T media ambiente (°C) Average ambient temp. (°C)	<-10	-10÷10	10÷35	>35
	VG (cSt = mm <sup>2</sup> /s)	22	32	46	68
入口压力 Inlet pressure		-0,3 ÷ 2 bar			

密封圈 Seal kit		
FULCRO <b>12</b>	FULCRO <b>25</b>	FULCRO <b>45</b>
106-900-00408	106-900-00453	106-900-00506




106-000-00032 油箱安装支座 (PMS,PMI)  
MOUNTING PLATE FOR TANK PMS-PMI



106-000-00078 手柄 (PMS/PMI 600mm 35x15)  
LEVER FOR PMS/PMI L. 600 MM 35x15



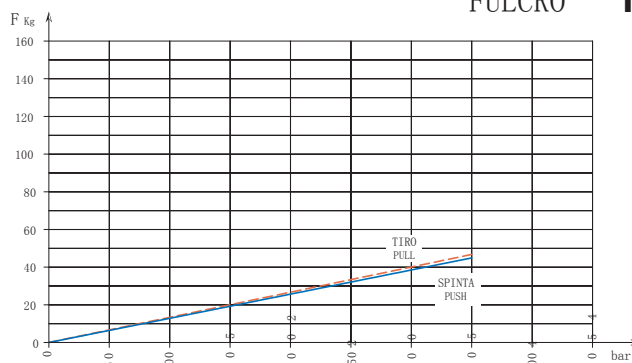
106-000-00247 弹簧 (PMS)  
SPRING RETURN FOR PMS



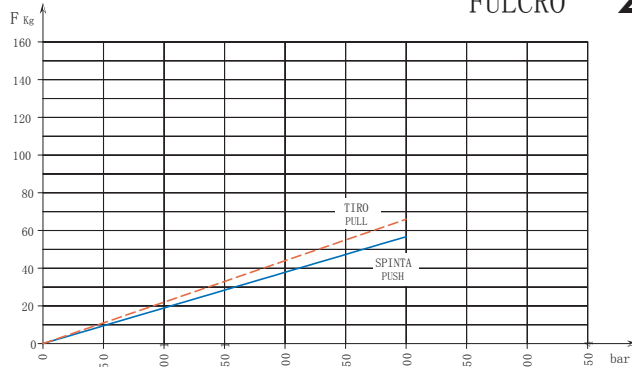
106-960-00700 安装配件 (PMS/PMI)  
MOUNTING KIT FOR PUMPS PMS/PMI

压力 — 手柄作用力图  
Load while pumping with standard lever

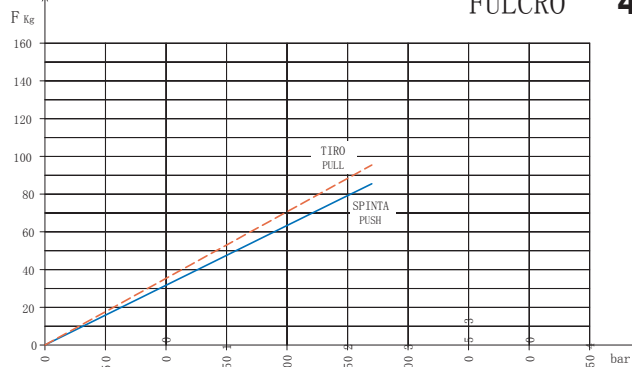
FULCRO **12**



FULCRO **25**



FULCRO **45**



液压手动泵 (内置截止阀和安全阀)  
HAND PUMPS WITH SAFETY VALVE

系列  
SERIES

**PMS+VS**  
**12-25-45**



PMS+VS 系列双作用手动泵泵体采用经电泳防腐工艺处理的球墨铸铁材料，内置带镀镍阀芯的截止阀和安全阀，该系列有12-25-45cm<sup>3</sup>三种排量供选择，分别对应PMS12+VS、PMS25+VS 和 PMS45+VS，同时可选配镀锌手柄和不同容量、材质的油箱。

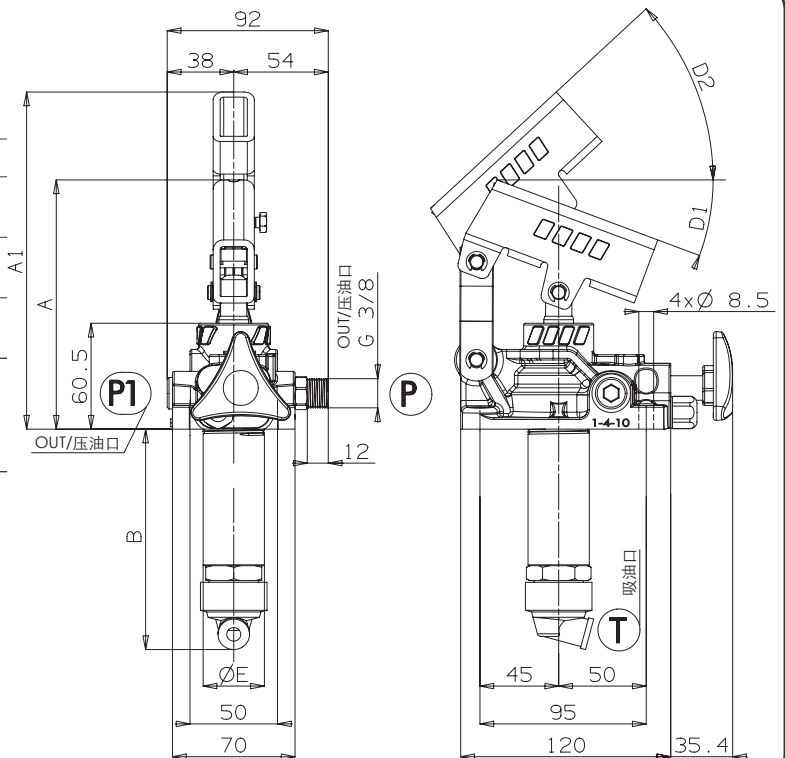
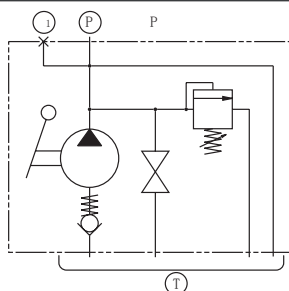
*Double acting hand pumps suitable to operate single acting applications. They can be fitted also onto tank and are equipped with tapered lowering valve and with built-in adjustable safety valve. These hand pumps can have 3 different sizes to perform various applications and to achieve smoother loads on the lever. They are available with nodular cast-iron body with cathodoresis anti-corrosion treatment and nickel-plated spool.*

		定货代码 Order code		
		FULCRO 12	FULCRO 25	FULCRO 45
无油箱 Without Tank		106-019-00013	106-010-00012	106-010-00021
	配置油箱 (L)			
	1	106-018-00014	106-008-00016	106-009-00060
	2	106-018-00023	106-008-00025	106-009-00051
	3	106-018-00032	106-008-00034	106-009-00015
	5	106-018-00041	106-008-00043	106-009-00024
	7	106-018-00050	106-008-00052	106-009-00033
	10	106-018-00069	106-008-00061	106-009-00042

尺寸  
Overall Dimension

		A	A1	B	C	D1	D2	E
		mm	mm	mm	mm	°	°	mm
FULCRO	12	143	187	120	2,8	18,5	45	35
FULCRO	25	142	193	127	3,7	20	45	35
FULCRO	45	141	193	138	3,7	20	45	42

液压回路图  
Hydraulic layout



技术参数  
Technical data


型号 Pump type	标准压力 Standard pressure setting	最高压力 Max. Pressure	排量 Displacement			重量 Weight
			Completa / Full cm <sup>3</sup>	Tiro / Pull cm <sup>3</sup>	Spinta / Push cm <sup>3</sup>	
FULCRO <b>12</b>	160 bar	300 bar	12	6,1	5,9	2,8 Kg
FULCRO <b>25</b>	160	300	25	13,4	11,6	2,9
FULCRO <b>45</b>	160	270	45	23,7	21,3	3,2

密封圈 Seal kit	丁晴橡胶(NBR), 氟橡胶(FKM或FPM), 尼龙(Nylon) Mineral or synthetic compatible with the following seals: NBR, FKM, FPM, Nylon				
建议运动粘度 Kinematic viscosity suggested	T media ambiente (°C) Average ambient temp. (°C)	<-10	-10÷10	10÷35	>35
	VG (cSt = mm <sup>2</sup> /s)	22	32	46	68
入口压力 Inlet pressure		-0,3 ÷ 2 bar			

密封圈 Seal kit		
FULCRO <b>12</b>	FULCRO <b>25</b>	FULCRO <b>45</b>
106-900-00408	106-900-00453	106-900-00506




106-000-00032 油箱安装支座 (PMS,PMI)  
MOUNTING PLATE FOR TANK PMS-PMI



106-000-00078 手柄 (PMS/PMI 600mm 35x15)  
LEVER FOR PMS/PMI L. 600 MM 35x15

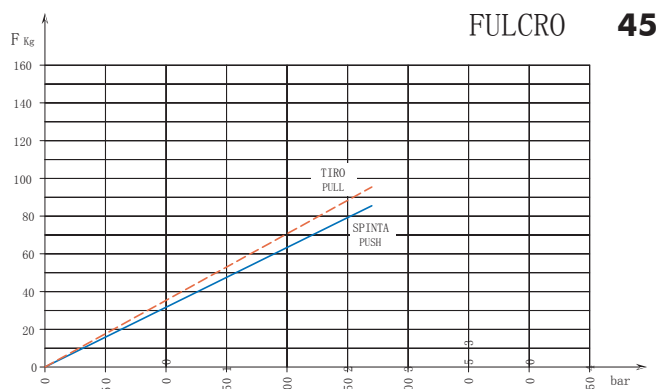
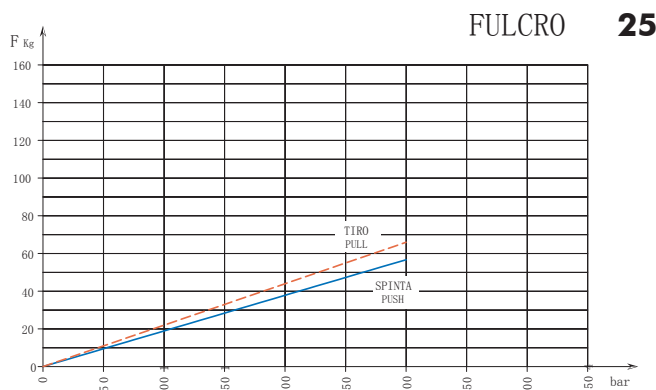
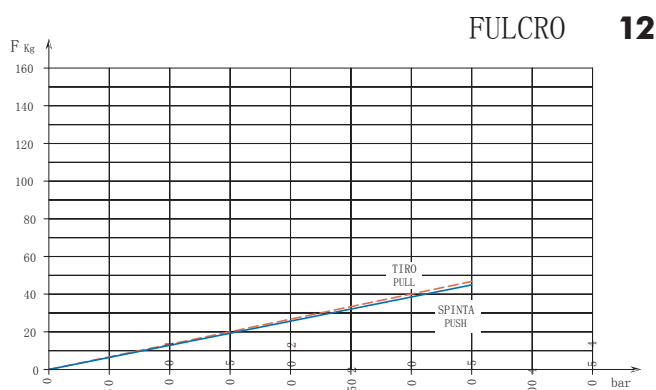


106-000-00247 弹簧 (PMS)  
SPRING RETURN FOR PMS



106-960-00700 安装配件 (PMS/PMI)  
MOUNTING KIT FOR PUMPS PMS/PMI

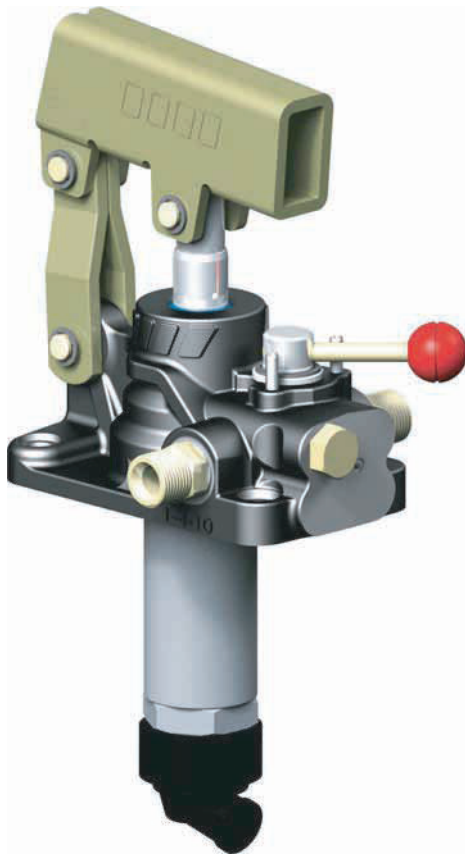
压力 — 手柄作用力图  
Load while pumping with standard lever



液压手动泵 (内置换向阀)  
HAND PUMPS  
WITH DIRECTIONAL CONTROL VALVE

系列  
SERIES

**PMI**  
**12-25-45**



PMI 系列双作用手动泵泵体采用经电泳防腐工艺处理的球墨铸铁材料，内置带镀镍阀芯的换向阀，该系列有12-25-45cm<sup>3</sup>三种不同排量供选择，分别对应PMI 12、PMI 25 和 PMI 45，同时可选配镀锌手柄和不同容量、材质的油箱。

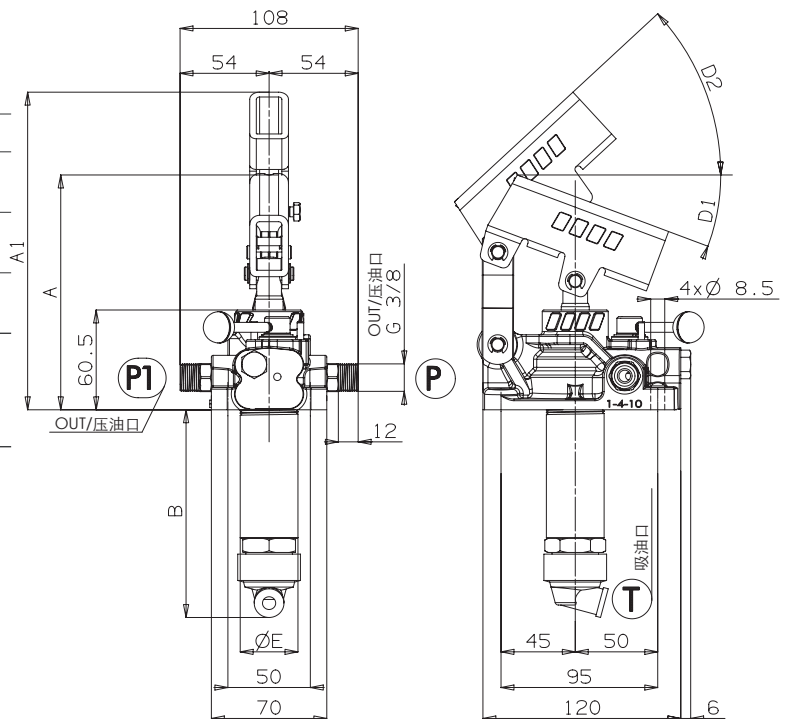
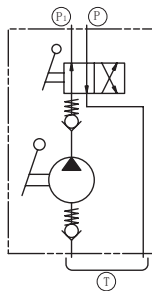
*Double acting hand pumps suitable to operate double acting applications. They can be fitted also onto tank and are equipped with built-in directional control valve. These hand pumps can have 3 different sizes to perform various applications and to achieve smoother loads on the lever. They are available with nodular cast-iron body with cathodolysis anti-corrosion treatment and nickel-plated spool.*

		定货代码 Order code		
		FULCRO 12	FULCRO 25	FULCRO 45
无油箱 Without Tank		106-017-00015	106-007-00017	106-007-00026
	配置油箱 (L)			
	1	106-016-00016	106-005-00019	106-006-00063
	2	106-016-00025	106-005-00028	106-006-00054
	3	106-016-00034	106-005-00037	106-006-00018
	5	106-016-00043	106-005-00046	106-006-00027
	7	106-016-00052	106-005-00055	106-006-00036
	10	106-016-00061	106-005-00064	106-006-00045

尺寸  
Overall Dimension

		A	A1	B	C	D1	D2	E
		mm	mm	mm	mm	°	°	mm
FULCRO	12	143	187	120	2,8	18,5	45	35
FULCRO	25	142	193	127	3,7	20	45	35
FULCRO	45	141	193	138	3,7	20	45	42

液压回路图  
Hydraulic layout

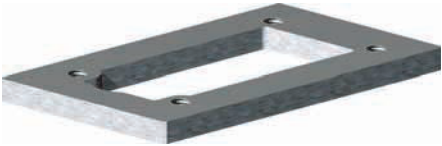


技术参数  
Technical data

型号 Pump type	最高压力 Max. Pressure  bar	排量 Displacement			重量 Weight  Kg
		Completa / Full cm <sup>3</sup> /ciclo	Tiro / Pull cm <sup>3</sup> /ciclo	Spinta / Push cm <sup>3</sup> /ciclo	
FULCRO <b>12</b>	350	12	6,1	5,9	2,9
FULCRO <b>25</b>	300	25	13,4	11,6	2,8
FULCRO <b>45</b>	270	45	23,7	21,3	3,2

密封圈 Seal kit	丁晴橡胶(NBR), 氟橡胶(FKM或FPM), 尼龙(Nylon) Mineral or synthetic compatible with the following seals: NBR, FKM, FPM, Nylon				
建议运动粘度 Kinematic viscosity suggested	T media ambiente (°C) Average ambient temp. (°C)	<-10	-10÷10	10÷35	>35
	VG (cSt = mm <sup>2</sup> /s)	22	32	46	68
入口压力 Inlet pressure		-0,3 ÷ 2 bar			

密封圈 Seal kit		
FULCRO <b>12</b>	FULCRO <b>25</b>	FULCRO <b>45</b>
106-900-00551	106-900-00604	106-900-00659



106-000-00032 油箱安装支座 (PMS, PMI)  
MOUNTING PLATE FOR TANK PMS-PMI

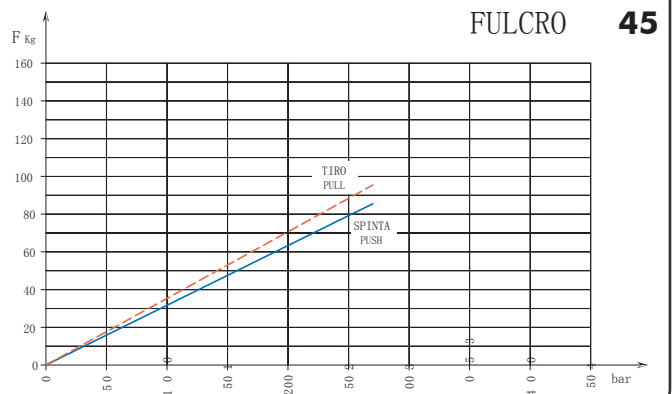
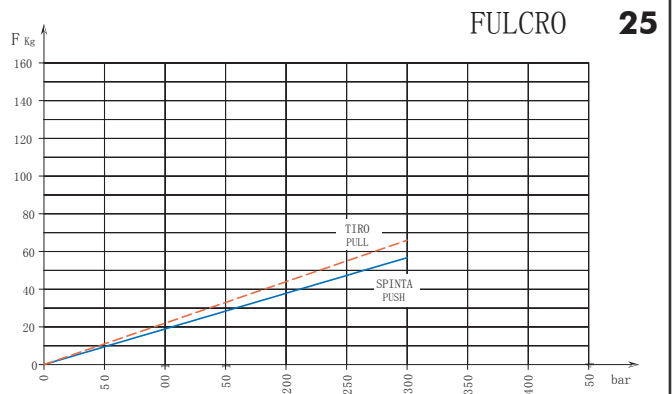
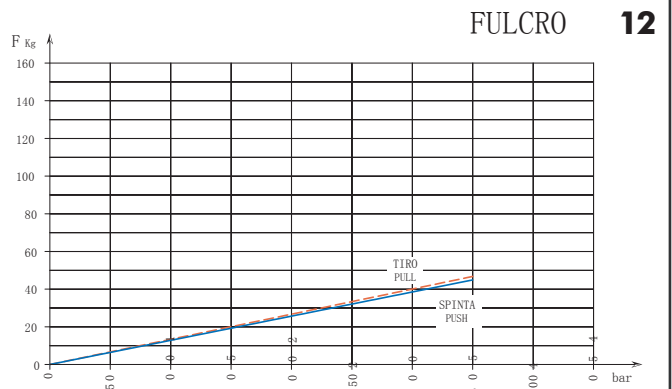


106-000-00078 手柄 (PMS/PMI 600mm 35x15)  
LEVER FOR PMS/PMI L. 600 MM 35x15



106-960-00700 安装配件 (PMS/PMI)  
MOUNTING KIT FOR PUMPS PMS/PMI

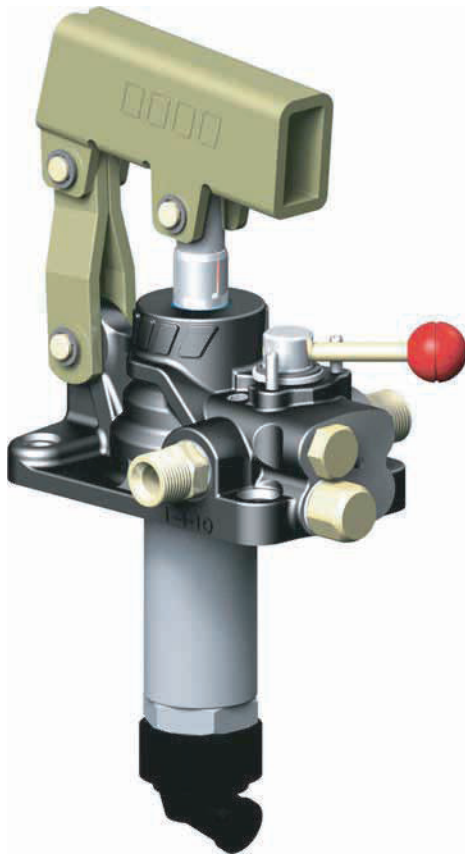
压力 — 手柄作用力图  
Load while pumping with standard lever



液压手动泵 (内置换向阀和安全阀)  
HAND PUMPS WITH SAFETY VALVE AND  
DIRECTIONAL CONTROL VALVE

系列  
SERIES

## PMI+VS 12-25-45



PMI+VS 系列双作用手动泵泵体采用经电泳防腐工艺处理的球墨铸铁材料, 内置带镀镍阀芯的换向阀和安全阀, 该系列有 12-25-45cm<sup>3</sup> 三种排量供选择, 分别对应 PMI12+VS、PMI25+VS 和 PMI45+VS, 同时可选配镀锌手柄和不同容量、材质的油箱。

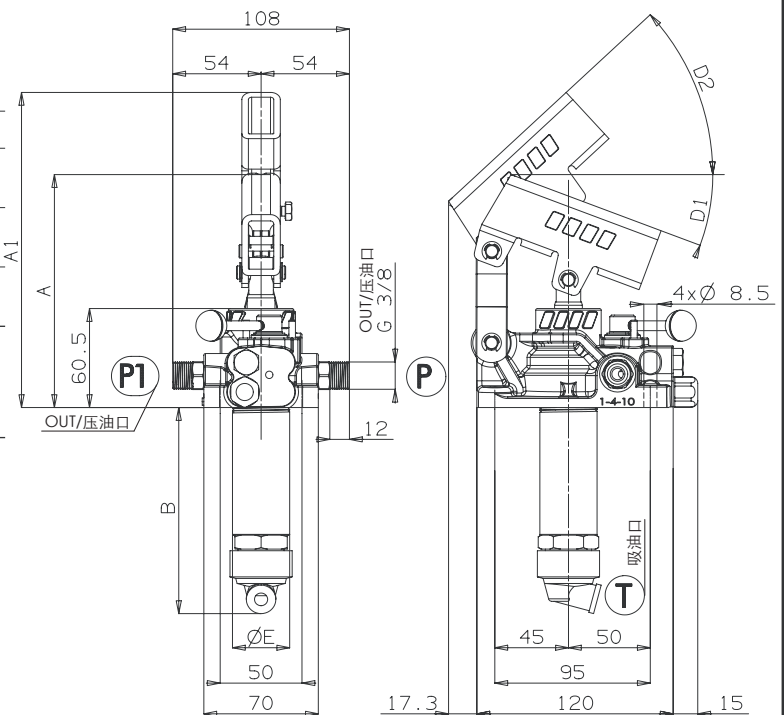
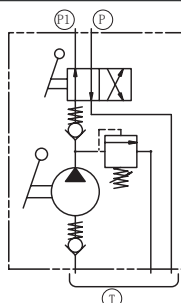
Double acting hand pumps suitable to operate double acting applications. They can be fitted also onto tank and are equipped with built-in directional control valve and with adjustable safety valve. These hand pumps can have 3 different sizes to perform various applications and to achieve smoother loads on the lever. They are available with nodular cast-iron body with cathaphoresis anti-corrosion treatment and nickel-plated spool.

		定货代码 Order code		
		FULCRO 12	FULCRO 25	FULCRO 45
无油箱 Without Tank		106-021-00019	106-013-00019	106-013-00028
	配置油箱 (L)			
	1	106-020-00010	106-011-00011	106-012-00065
	2	106-020-00029	106-011-00020	106-012-00056
	3	106-020-00038	106-011-00039	106-012-00010
	5	106-020-00047	106-011-00048	106-012-00029
	7	106-020-00056	106-011-00057	106-012-00038
	10	106-020-00065	106-011-00066	106-012-00047

尺寸  
Overall Dimension

	A	A1	B	C	D1	D2	E
	mm	mm	mm	mm	°	°	mm
FULCRO 12	143	187	120	2,8	18,5	45	35
FULCRO 25	142	193	127	3,7	20	45	35
FULCRO 45	141	193	138	3,7	20	45	42

液压回路图  
Hydraulic layout

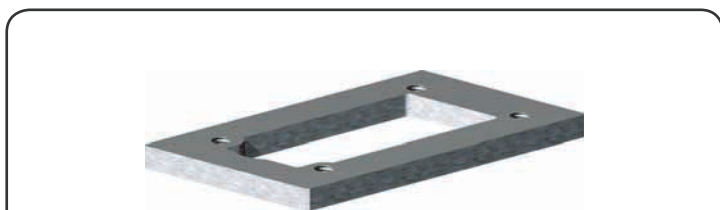


技术参数  
Technical data

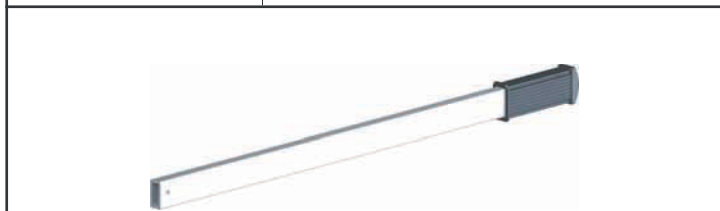
型号 Pump type	标准压力 Standard pressure setting	最高压力 Max. Pressure	排量 Displacement			重量 Weight
			Completa / Full cm <sup>3</sup>	Tiro / Pull cm <sup>3</sup>	Spinta / Push cm <sup>3</sup>	
FULCRO <b>12</b>	160	300	12	6,1	5,9	2,9
FULCRO <b>25</b>	160	300	25	13,4	11,6	2,9
FULCRO <b>45</b>	160	270	45	23,7	21,3	3,2

密封圈 Seal kit	丁晴橡胶(NBR), 氟橡胶(FKM或FPM), 尼龙(Nylon) Mineral or synthetic compatible with the following seals: NBR, FKM, FPM, Nylon				
建议运动粘度 Kinematic viscosity suggested	T media ambiente (°C) Average ambient temp. (°C)	<-10	-10÷10	10÷35	>35
	VG (cSt = mm <sup>2</sup> /s)	22	32	46	68
入口压力 Inlet pressure		-0,3 ÷ 2 bar			

密封圈 Seal kit		
FULCRO <b>12</b>	FULCRO <b>25</b>	FULCRO <b>45</b>
106-900-00551	106-900-00604	106-900-00659



106-000-00032 油箱安装支座 (PMS,PMI)  
MOUNTING PLATE FOR TANK PMS-PMI

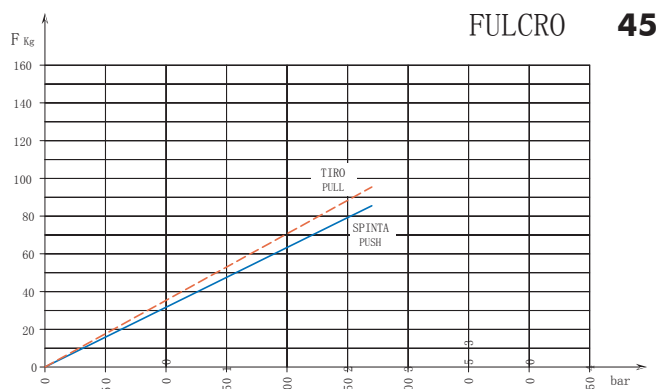
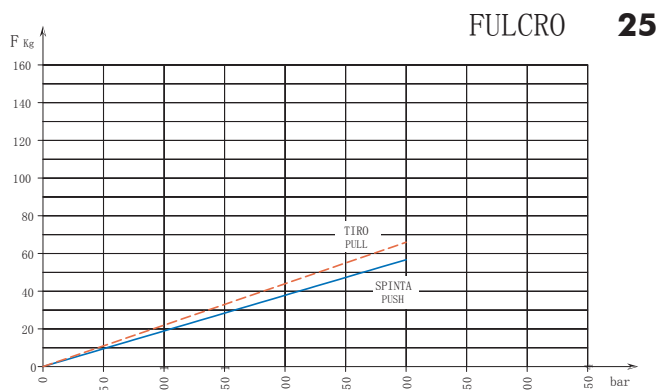
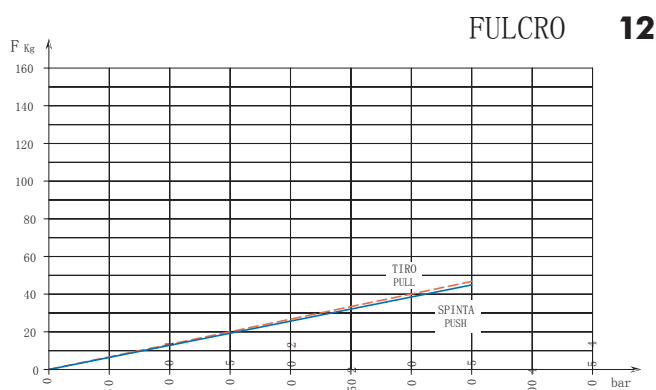


106-000-00078 手柄 (PMS/PMI 600mm 35x15)  
LEVER FOR PMS/PMI L. 600 MM 35x15



106-960-00700 安装配件 (PMS/PMI)  
MOUNTING KIT FOR PUMPS PMS/PMI

压力 — 手柄作用力图  
Load while pumping with standard lever





# 单作用液压手动泵

## SINGLE ACTING HAND PUMPS

产品代码  
FAMILY CODE

**106**

系列  
SERIES

**PMSE 10-15**



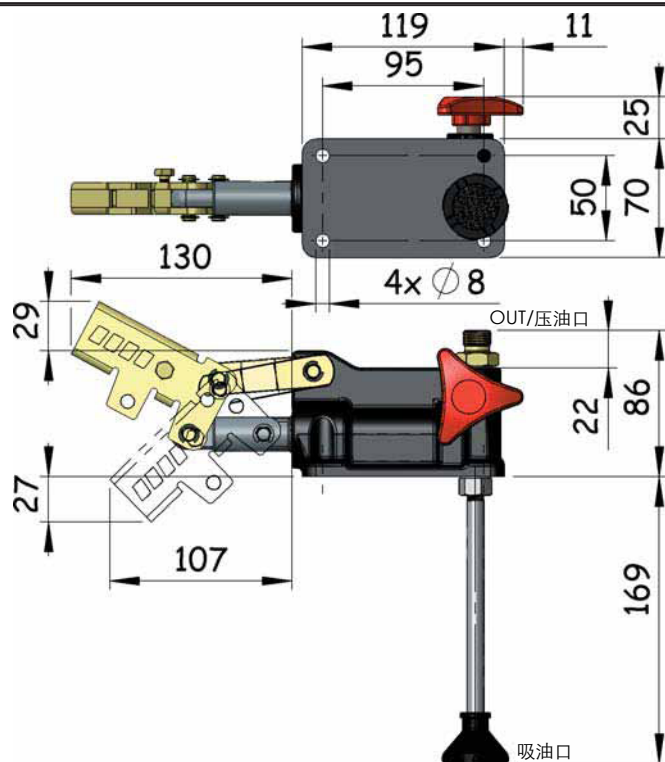
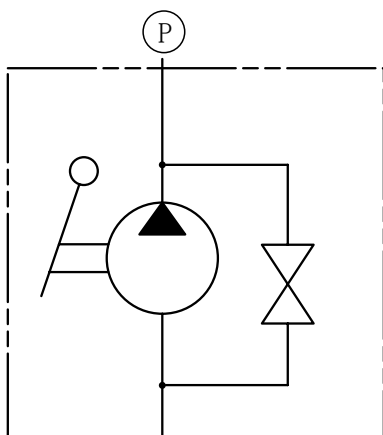
PMSE 系列单作用手动泵泵体采用经磷化工艺处理的铸铁材料，内置截止阀，该系列有10-15cm<sup>3</sup>两种排量供选择，分别对应PMSE10 和 PMSE15，同时可选配镀锌手柄和不同容量、材质的油箱。

*Available in two different capacities to allow several applications and to limit the effort on the lever in any situation. The body is in cast-iron with phosphate treatment and the stem is in chromate steel.*

		定货代码 Order code	
		PMSE 10	PMSE 15
无油箱 Without Tank		106-036-00030	106-036-00058
配置油箱 (L)	1	106-030-00027	106-032-00025
	2	106-030-00045	106-032-00043
	3	106-030-00063	106-032-00061
	5	106-030-00081	106-032-00089
	7	106-030-00090	106-032-00098
	10	106-030-00107	106-032-00105

液压回路图  
Hydraulic layout

内置截止阀 / WITH VALVE



### 技术参数 Technical data

型号 Pump type	最高压力 Max. Pressure	排量 Displacement	重量 Weight
	bar		Kg
PMSE <b>10</b>	<b>350</b>	<b>10</b>	
PMSE <b>15</b>	<b>300</b>	<b>15</b>	

密封圈 Seal kit	丁晴橡胶(NBR), 氟橡胶(FKM或FPM), 尼龙(Nylon) Mineral or synthetic compatible with the following seals: NBR, FKM, FPM, Nylon				
建议运动粘度 Kinematic viscosity suggested	T media ambiente (°C) Average ambient temp. (°C)	<-10	-10÷10	10÷35	>35
	VG (cSt = mm <sup>2</sup> /s)	22	32	46	68
入口压力 Inlet pressure		-0,3 ÷ 2 bar			

密封圈 Seal kit	
PMSE 10 / PMSE 15	
106-900-00104	



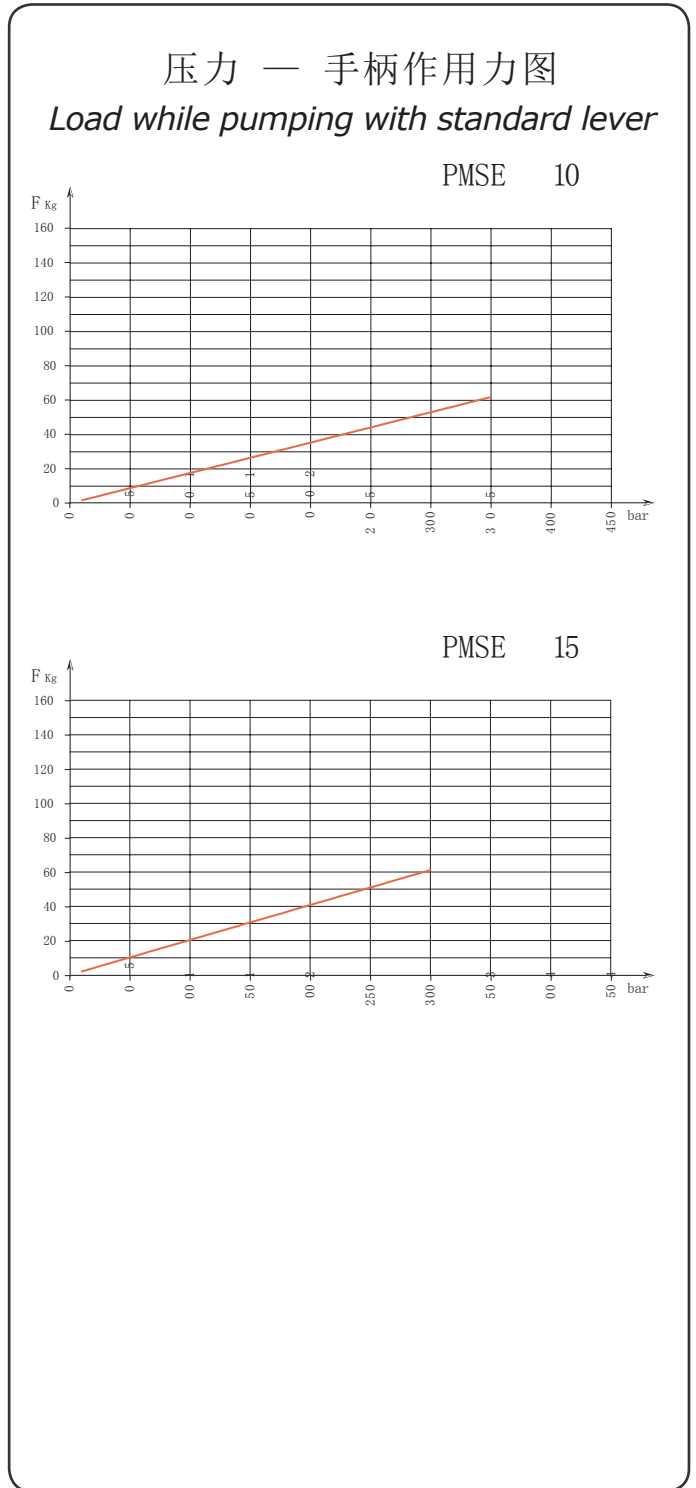
106-000-00032 | 油箱安装支座 (PMS, PMI)  
MOUNTING PLATE FOR TANK PMS-PMI-PMSE



106-000-00176 | 手柄 (PMS/PMI 600mm 25x10)  
LEVER FOR PMS/PMI L. 600 MM 25x10



106-960-00906 | 安装配件 (PMS/PMI)  
MOUNTING KIT FOR PUMPS PMSE

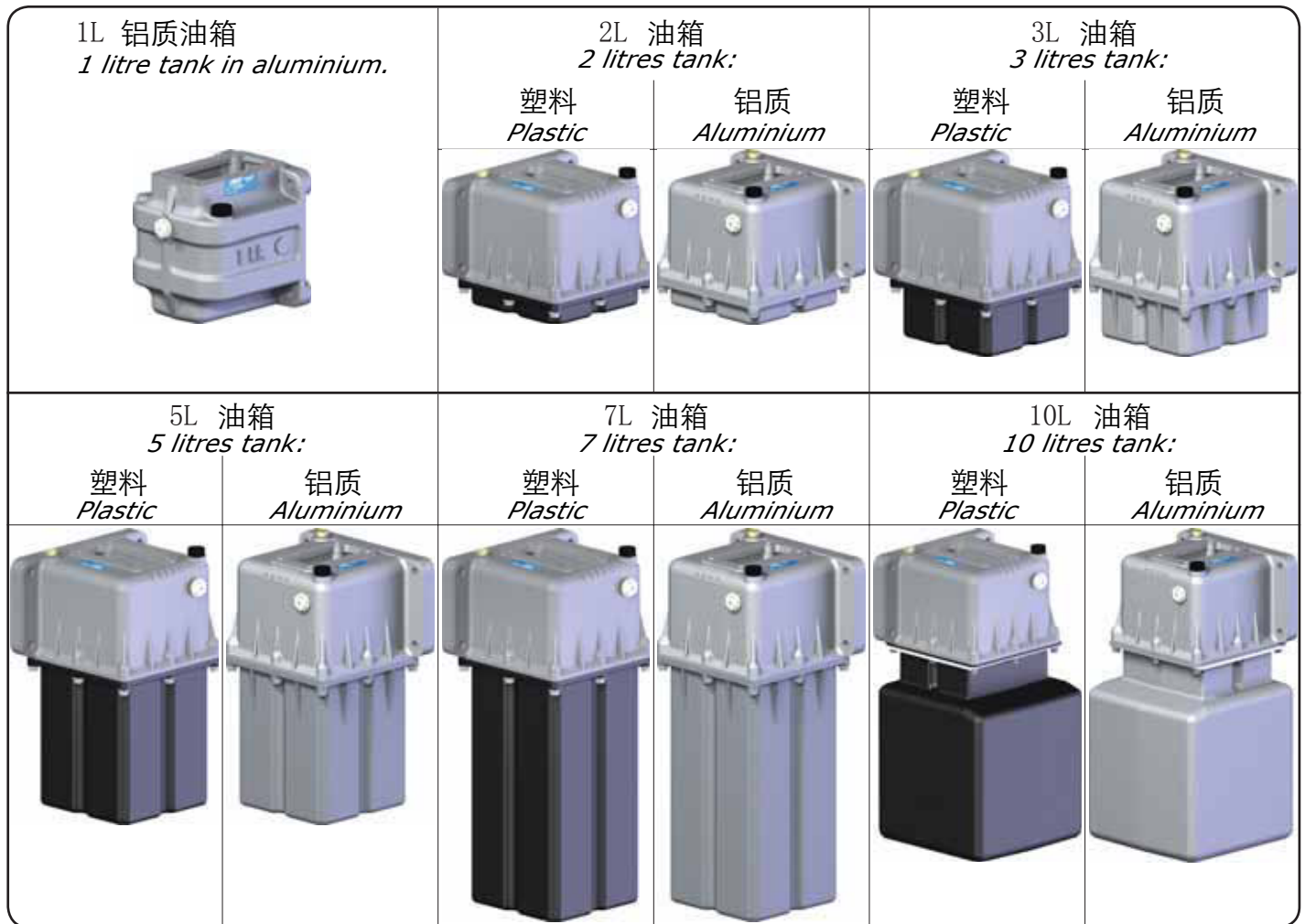


### 塑料和铝质油箱

### PLASTIC AND ALUMINIUM TANK ASSEMBLY

### 油箱

### TANKS



油箱材质 TANK'S MATERIAL	订货代码 ORDER CODE	容量 (L) CAPACITY	描述 DESCRIPTION	重量 WEIGHT
塑料 PLASTIC	106-800-00025	2	SRB. CMP.PM S/2/ TANK 2 LT	1,8
	106-800-00034	3	SRB. CMP.PM S/3/ TANK 3 LT	1,9
	106-800-00043	5	SRB. CMP.PM S/5/ TANK 5 LT	2
	106-800-00052	7	SRB. CMP.PM S/7/ TANK 7 LT	2,4
	106-800-00061	10	SRB. CMP.PM S/10/ TANK 10 LT	2,9
铝质 ALUMINIUM	106-800-00016	1	SRB. CMP.PM S/1/ TANK 1 LT	1,1
	106-800-00203	2	SRB. CMP.PM S/2/ TANK 2 LT	1,9
	106-800-00301	3	SRB. CMP.PM S/3/ TANK 3 LT	2
	106-800-00507	5	SRB. CMP.PM S/5/ TANK 5 LT	2,5
	106-800-00703	7	SRB. CMP.PM S/7/ TANK 7 LT	3,9
	106-800-01006	10	SRB. CMP.PM S/10/ TANK 10 LT	5,2